

Elster Jeavons S300

Over pressure Slam Shut Valve

Brief information

Operation: The S300 utilises the familiar Jeavons Universal Safety Shut-off Assembly (USSA). This provides over pressure protection with immediate shut-off. It uses well proven principles to give exceptional consistency of operation and an unrivalled insensitivity to nuisance tripping. When the pressure increases above a predetermined value the trigger mechanism actuates and the valve shuts off the gas supply. Resetting can only be achieved manually.

Application: The S300 in-line over pressure slam shut (OPSS) protects gas installations, especially polyethylene pipework, from dangerous overpressure conditions and can be fitted either before or after the first stage regulator (see over the page for installation diagrams). Versions are available with either internal or external impulse. The S300 can be used with natural, liquefied petroleum and manufactured gases and can be mounted in any orientation.

Control: A comprehensive range of springs is available, as described overleaf. The trip pressure can be easily and accurately adjusted by turning the spring adjuster.

Approvals: The S300 has been approved to module B + D of the PED 2014/68/EU by BSI Notified body No. 2797). It is classified as Category IV equipment and a safety accessory

Technical Data:

Maximum inlet pressure: 20 bar (290 psig)

For all high pressure units and externally impulsed low pressure units.

Maximum inlet pressure: 2 Bar (29 PSIG)

For internally impulsed low pressure units.

Servicing: The S300 has been designed for ease of access, inspection and servicing of all internal components. A standard soft spares kit is available.

Low Pressure: Reference number SK3006-01

High Pressure: Reference number SK3006-02

Quality:

Honeywell is committed to a programme of continuous quality enhancement. All equipment designed and manufactured by Honeywell benefits from the group's quality assurance standards which are approved to EN ISO9001.



FEATURES & BENEFITS

Main Features

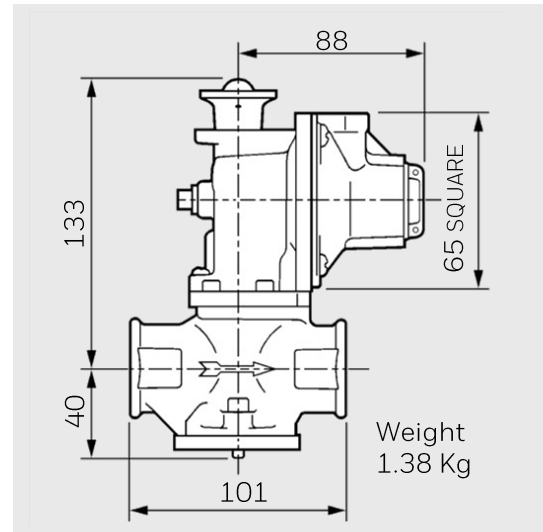
- Size ¾" and 1"
- Temperature range -20°C to +60°C
- Threaded connections to BS EN 10226 (ISO 7) or NPT (other threads may be available upon request).
- External or internal impulse
- Spring loaded
- Simple manual reset
- In line maintenance
- Suitable for incorporation into systems designed in accordance with Gas Safety Regulations 1998 Section 14 (2) - (4).
- Adjustable trip-off pressure gives a wide range of set points
- Visual indicator

S300 HP Slam Shut Valve

Material Specifications

A summary of the material specification for the S300 is given for reference. All material has been selected to provide maximum durability and reliability in service.

Components	Specification
Main Body	S.G. Iron
Valve Seat	Brass
Diaphragm	Nitrile Synthetic Rubber (Buna)
Valve Disc and "O" rings	Nitrile Synthetic Rubber
Valve	Aluminium Alloy
Slam Shut Body & Cover	Aluminium Alloy
Internals	Acetal Resin
Springs	Carbon Steel, Zinc Plated and Coated



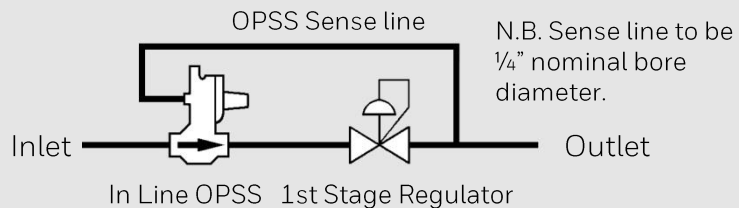
Loading Springs

	mbar	"wg	Part Number	Colour Code
L.P.	18 - 60	7.5 - 24	J12506-281	Black
	50 - 80	20 - 32	J12506-282	Orange
	60 - 110	24 - 44	J12506-283	Red
	100 - 210	40 - 84	J12506-284	Dark Green
	200 - 350	3.0 - 5.0 PSI	J12506-287	Yellow
	280 - 500	4.0 - 7.0 PSI	J12506-288	White
H.P.	0.5 - 1.0 Bar	7.25 - 14.5 PSI	J12506-311	Dark Blue / Black
	1.0 - 2.0 Bar	14.5 - 29.0 PSI	J12506-312	Dark Blue / Orange
	2.0 - 4.0 Bar	29.0 - 58.0 PSI	J12506-313	Dark Blue / Red

Installation Piping Diagram

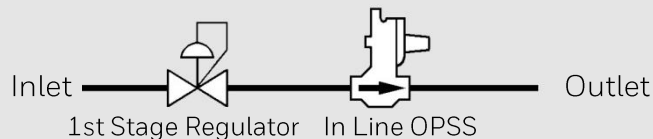
Option 1

In line OPSS fitted UPSTREAM of first Stage regulator



Option 2

In line OPSS fitted DOWNSTREAM of first Stage regulator



Your Contacts:

United Kingdom
Elster Metering Ltd
Paton Drive, Tollgate Business Park,
Beaconside, Stafford, Staffs. ST16 3EF
T +44 1785 275200
F +44 1785 275305
www.elster-instromet.com
stafford.enquiries@honeywell.com

United Kingdom
Elster Metering Ltd
Mutual House, Leicester Road,
Melton Mowbray, Leics. LE13 0DB
T +44 1664 567797
F +44 1664 504199
www.elster-instromet.com
elsteruksales.hps@honeywell.com

Germany
Elster GmbH
Steinern St. 19 - 21
55252 Mainz -Kastel
T +49 6134 605 0
F +49 6134 605 223
www.elster-instromet.com
info@GE4N@honeywell.com

Elster is a registered trade mark
of Honeywell International Inc.
S3001EN | 05 | 01/20
© 2020 Honeywell International Inc.

Honeywell