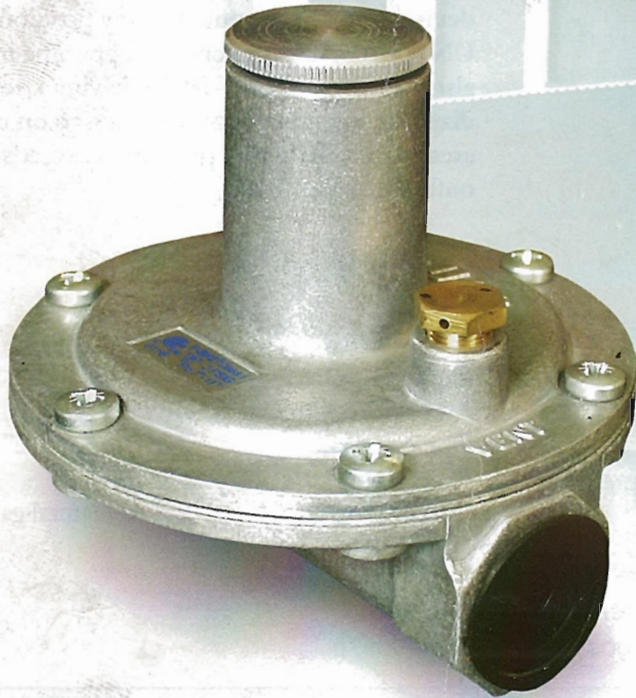


Regulator tip F-BH 2

Regulator Type F-BH 2



Za preciznu regulaciju pritiska gasa od punog protoka do malih protoka (pilot protoka) UNIS-FAGAS Sarajevo proizveo je regulator pritiska gasa tip F-BH 2. Ovaj regulator certificiran je od strane instituta za gasnu tehniku IGT u Sarajevu kao i američkog instituta CSA-INTERNATIONAL i zadovoljava standard:

ANSI Z 21.80 i CAN.6.22-M97
ANSI Z 21.18. i CAN 6.3.2000

UNIS-FAGAS Sarajevo has manufactured the Gas Line Pressure Regulator, Type F-BH 2 intended for precise regulation of gas pressure in the range from full flow down to pilot flows. The Gas Line Pressure Regulator F-BH 2 has been certified by the Institute of Gas Tehnic IGT in Sarajevo and US institute CSA-INTERNATIONAL and it meets the standards:

ANSI Z 21.80. and CAN 6.22-M97
ANSI Z 21.18 and CAN 6.3.2000

unis faggas

FABRIKA GASNIH APARATA SARAJEVO d.o.o.

BiH 71000 SARAJEVO - Rajlovačka bb,
tel: +387 33 23 53 95, fax: +387 33 23 53 97
e-mail: fagas@pkasa.com.ba fabgas@bih.net.ba

Izvedba

Regulator F-BH 2 može se isporučivati sa ugrađenim ventilskim ograničivačem tipa "F" sa priključkom 1/8" NPT.

U slučaju pucanja membrane, curenje gasa je ograničeno i u granicama definiranim ANSI standardom. Regulator F-BH 2 sa ugrađenim ventilskim ograničivačem mora se montirati u horizontalnom položaju (ventil okrenut prema gore). Bez ventilskog ograničivača regulator F-BH 2 može se ugrađivati u svim položajima. UNIS-FAGAS u svom proizvodnom programu ima i regulator tip F-BH2R koji ima rastavljivu membranu tako da prilikom porasta izlaznog pritiska preko određene veličine dolazi do odušivanja u atmosferu.

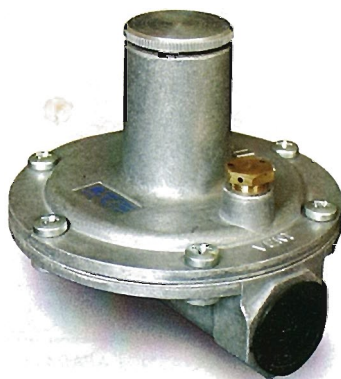
Tehnički podaci

Ulazni pritisak	2 PSI
Izlazni pritisak	7"-11"WC
Radna temperatura	-40 C do + 90 C
Priključci	NPT ili Rp 1/2" x 1/2"
Masa	0,4 kg
Gasovi	prirodni gas, LPG

Kapacitet regulatora F-BH 2 u Nm³/h gasa relativne gustoće 0,6
Capacity of the Regulator F-BH 2 0.6 sp gr gas expressed in Nm³/h

Izlazni pritisak Outlet pressure	Ulazni pritisak - Inlet pressure	
	1 PSI 69 mbar	2 PSI 138 mbar
7"	5.5	7.8
9"	5.3	7.0
11"	5.1	6.2

kapacitet je zasnovan na padu pritiska od 2,5 mbar od tačke podešavanja.



Regulator tip F-BH 2
Regulator type F-BH 2

Execution

The Gas Line Pressure Regulator F-BH 2 is available with built-in vent limiting device, F-Type and 1/8" NTP connection.

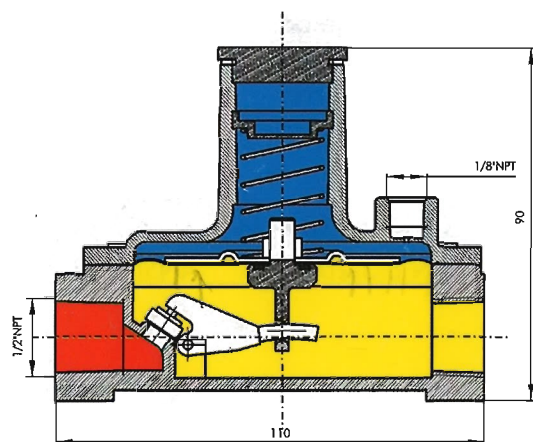
In the event of a diaphragm rupture, gas escapement is limited to within the ANSI standard levels. The Gas Line Pressure Regulator F-BH 2 with built-in vent limiting device must be mounted in a horizontal position. If the Regulator is without the vent limiting device, it can be mounted in any position.

UNIS-FAGAS production programme includes also Regulator Type F-BH2R having a separable diaphragm which enables venting to an outside area in case the outlet pressure exceeds the rated outlet pressure.

Technical data:

Inlet pressure	2 PSI
Outlet pressure	7"-11"WC
Ambient temperature limits	-40 C up to +90 C
Pipe connections	NPT or Rp 1/2" x 1/2"
Weight	0,4 kg
Gases	natural gas, LPG

The capacity is based on pressure drop of 2,5 mbar from the adjustment point.



■ Ulazni pritisak / Inlet pressure
 ■ Izlazni pritisak / Outlet pressure
 ■ Atmosferski pritisak / Atmospheric pressure