

# AMERICAN METER Series 1800CPB2 Service Regulators

Models 1800CPB2 & 1883CPB2

## Repair Parts



Model 1800CPB2



Model 1883CPB2

[www.americanmeter.com](http://www.americanmeter.com)

### AMC Quality System

QMI is Accredited by:



ISO 9001 Certified  
Certificate #006697



Dutch Council  
for Accreditation

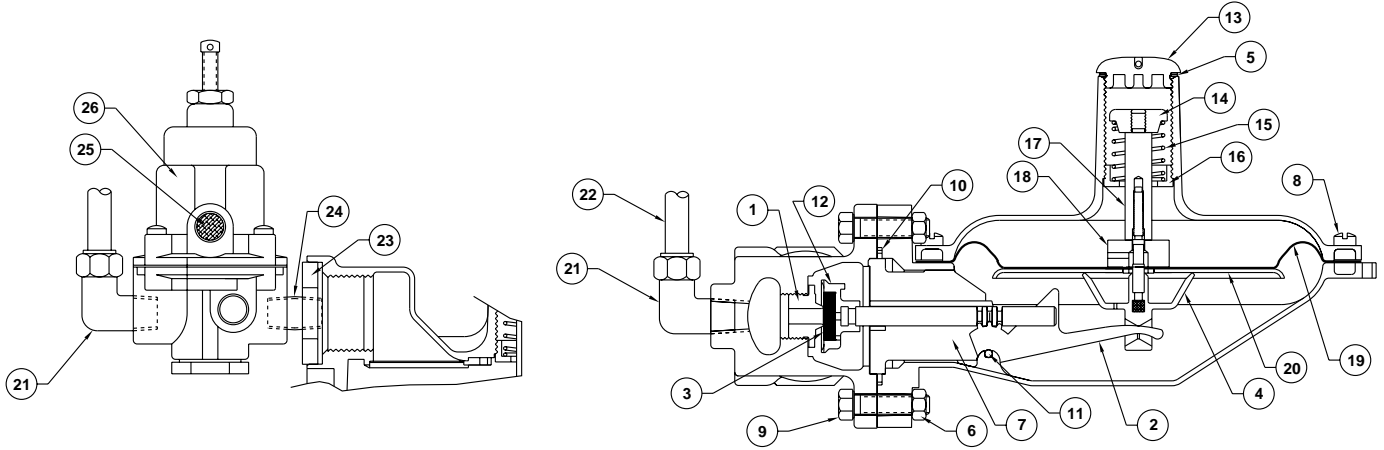


# AMERICAN METER COMPANY

*Measurement Engineers Since 1836*

# 1800CPB2 Service Regulators

## Model 1800CPB2 Regulator

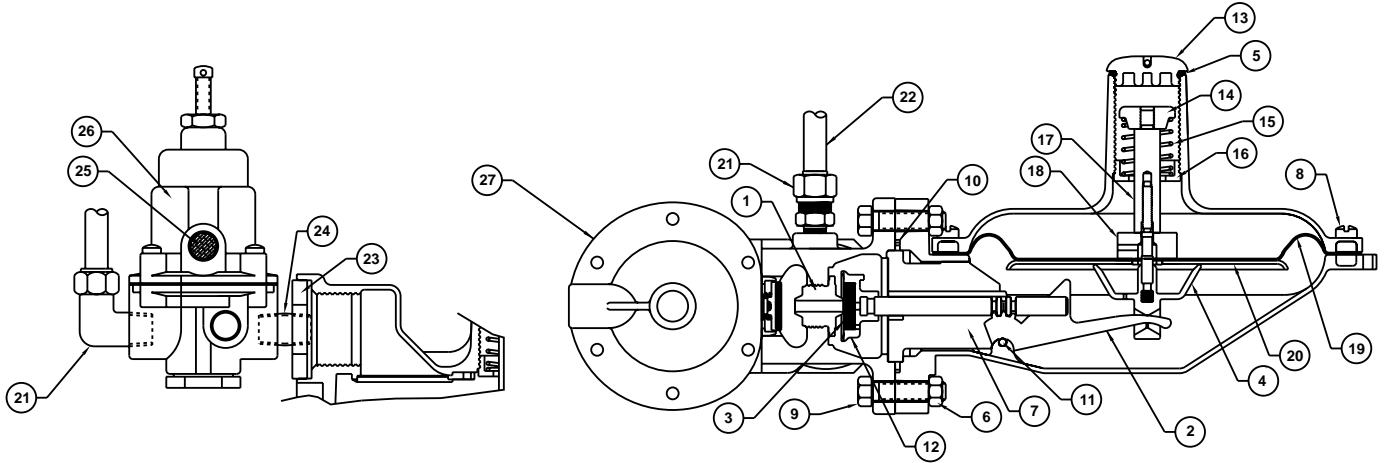


Item No.	Description	Quantity	Part No.
1	Valve 3/16" Dia. Orifice	1	72494P020
1	Valve 1/4" Dia. Orifice	1	72494P021
1	Valve 5/16" Dia. Orifice	1	72494P022
1	Valve 3/8" Dia. Orifice	1	72494P023
1	Valve 1/2" Dia. Orifice	1	72494P025
1	Valve 1/8" X 3/16" Dia. Dual Orifice	1	72494P030
2	Lever	1	72496P002
3	Disc., Valve Seat Buna N 70 Duro	1	70041P042
3	Disc., Valve Seat Buna N 80 Duro	1	70041P043
3	Disc., Valve Seat Buna N 90 Duro (Std.)	1	70041P044
4	Stem, Diaphragm	1	72490P005
5	Gasket	1	42710P202
6	Nut, Valve Body	2	22032P073
7	Guide, Valve Plunger	1	73943P001
9	Bolt, Valve Body	2	12369P038
10	Seal Ring, Valve Body	1	78152P008

Item No.	Description	Quantity	Part No.
11	Pin, Lever	1	70016P017
12	Assy., Seat Disc Holder & Plunger	1	72495G001
13	Plug, Seal	1	70018P002
14	Restrictor, Spring	1	70020P005
15	Spring, Closing	1	70017P003
16	Retainer, Spring	1	74026P001
17	Rod, Extension	1	73832P001
18	Spacer	1	73831P001
19	Diaphragm	1	70014P186
20	Plate, Diaphragm	1	70012P025
21	Fitting, 90° Elbow	2	78061P019
22	Tube, Pilot Supply	1	72201P024
23	Bushing, Reducer	1	78042P030
24	Nipple, Close	1	78044P005
25	Screen, Pilot Vent	1	70034P001
26	Regulator, Pilot	1	78192P001

# 1800CPB2 Service Regulators

## Model 1883CPB2 Regulator

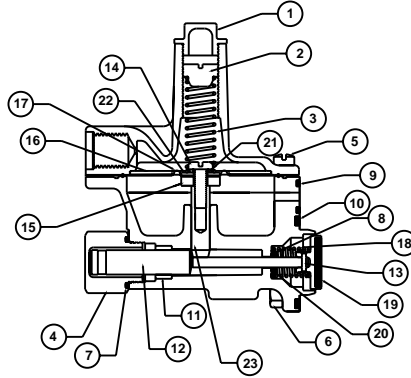


Item No.	Description	Quantity	Part No.
1	Valve 3/16" Dia. Orifice	1	72751P011
1	Valve 1/4" Dia. Orifice	1	72751P012
1	Valve 5/16" Dia. Orifice	1	72751P013
1	Valve 3/8" Dia. Orifice	1	72751P014
1	Valve 1/2" Dia. Orifice	1	72751P016
1	Valve 1/8" X 3/16" Dia. Dual Orifice	1	72751P020
2	Lever	1	72496P002
3	Disc., Valve Seat Buna N 70 Duro	1	70041P042
3	Disc., Valve Seat Buna N 80 Duro	1	70041P043
3	Disc., Valve Seat Buna N 90 Duro (Std.)	1	70041P044
4	Stem, Diaphragm	1	72490P005
5	Gasket	1	42710P202
6	Nut, Valve Body	2	22032P073
7	Guide, Valve Plunger	1	73943P001
9	Bolt, Valve Body	2	12369P038
10	Seal Ring, Valve Body	1	78152P008
11	Pin, Lever	1	70016P017
12	Assy., Seat Disc Holder & Plunger	1	72495G001

Item No.	Description	Quantity	Part No.
13	Plug, Seal	1	70018P002
14	Restrictor, Spring	1	70020P005
15	Spring, Closing	1	70017P003
16	Retainer, Spring	1	74026P001
17	Rod, Extension	1	73832P001
18	Spacer	1	73831P001
19	Diaphragm	1	70014P186
20	Plate, Diaphragm	1	70012P025
21	Fitting, 90° Elbow	1	78061P019
21	Fitting, 180° Male Connector	1	78061P023
22	Tube, Pilot Supply	1	72201P069
23	Bushing, Reducer	1	78042P030
24	Nipple, Close	1	78044P005
25	Screen, Pilot Vent	1	70034P001
26	Regulator, Pilot	1	78192P001
27	OPSO, Assembly Shut-off 5 To 15 PSIG	1	72978G096
27	OPSO, Assembly Shut-off 15 To 40 PSIG	1	72978G097

# 1800CPB2 Service Regulators

## Overpressure Shut-off



Item No.	Description	Quantity	Part No.
1	Plug, Seal	1	73331F001
2	Screw, Adjusting	1	73332P001
3	Spring, 5 PSI To 15 PSI Shut-off Pressure	1	71403P005
3	Spring, 15 PSI To 40 PSI Shut-off Pressure	1	71403P004
4	Plug, Body	1	72747P001
5	Screw, Flange	6	78008P006
6	Screw, Body	4	78098P001
7	"O" Ring, Body Plug	1	78037P037
8	"O" Ring, Valve Stem	1	78037P116
9	"O" Ring	1	78037P005
10	"O" Ring, Body	1	78037P104
11	Bushing, Ribbed	1	72744P002

Item No.	Description	Quantity	Part No.
12	Stem, Valve	1	72742P001
13	Rollpin	1	90394P067
14	Screw, Diaphragm Stem	1	78138P001
15	Plate, Lower Diaphragm	1	70012P077
16	Reducing Ring	1	52953P001
17	Diaphragm	1	72746P004
18	Spring, Shut-off	1	71403P019
19	Assembly, Seat Disc., Buna N 60 Duro	1	72750G003
20	Retainer, "O" Ring	1	73927P001
21	Multi-seal Ring	1	52954P001
22	Plate, Upper Diaphragm	1	70012P076
23	Stem, Diaphragm	1	72743P001

## Regulator Repair Kit

### 74082K001 (Main Regulator)

Description	Part No.
Seal Plug Gasket	70019P108
Valve Seat Disc	70041P044
Valve Body Seal Ring	78152P008
Spring Restrictor	70020P005
Diaphragm Assembly	74082G001
Loctite Thread Adhesive	52020P004
Assembly Instructions	SK-10179

Due to continuous development the information in this document is subject to change.

### Caution:

#### Handling and Disposal

"As a knowledgeable user of American Meter's products, we are sure that you are aware that parts in the Company's meters and regulators contain or are coated with heavy metals such as cadmium, zinc, lead and chromium. Obviously, therefore, repair or refurbishment of this equipment should take into account the presence of these materials and should comply with all state and federal requirements concerning worker protection, proper disposal and safety, including protection against exposure to dust and fumes."



#### AMERICAN METER

300 Welsh Road, Building One • Horsham, PA 19044-2234 • USA  
 • Tel: (215) 830-1800 • Fax: (215) 830-1890



#### CANADIAN METER

3037 Derry Road, West • Milton, Ontario L9T 2X6 • Canada  
 • Tel: (905) 878-2361 • Fax: (905) 878-5758

**ELSTER** **AMCO**